

2 Megapixel 1080p Weatherproof PTZ Camera Equipped with IR LED

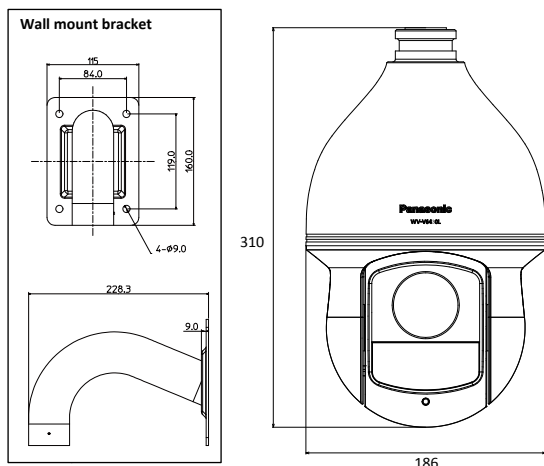
Specifications



Key Features

- 30x optical zoom
- H.265 / H.264 & MJPEG triple-stream encoding
- 50/60fps@1080P (1920 x1080).
- Support ICR for day time and night time operation.
- IR distance up to 150 m {approx. 492 ft} (AC24V).
- IP66 rated water and dust resistant.
- Up to 300 presets, 5 auto scan, 8 tour, 5 pattern
- Micro SD memory card slot

Appearance



Camera	
Image sensor	Approx. 1/2.8 type CMOS image sensor
Minimum illumination	0.13 lx / F1.6 (Color), 0 lx / F1.6 (IR on), 0.005 lx / F1.6 (BW)
Gain	Auto/ Manual
Back light compensation	OFF / BLC/ HLC/ WDR
Shutter speed	Auto/ Shutter Priority/ Aperture Priority/ Manual, 1/1 sec-1/30000 sec
Day / Night	Auto(ICR) / Color / Black & White/ Photoresistor
IR LED Light	Irradiation distance: 150 m {approx. 492 ft}
White Balance (W/B)	Auto/ Manual/ ATW/ Outdoor/ Indoor/ Outdoor Auto/ Sodium Lamp auto, Sodium Lamp
Digital Noise Reduction(DNR)	Ultra DNR (2D/3D) ON/ OFF
Privacy masking	Up to 24 areas
Video Motion Detection(VMD)	Off/ On (4 Zone, Rectangle)
Tampering Detection	On/Off
Lens	
Focal length / Zoom ratio	4.5 mm - 135 mm {3/16 inches ~ 5-5/16 inches}/ 30x optical zoom
Angular field of view	H : 2.4 ° (TELE) – 60 ° (WIDE) V : 1.8 ° (TELE) – 36 ° (WIDE)
Pan and tilt	
Pan/tilt range	Pan:360°endless, Tilt:-15°~90°
Preset	300
PTZ mode	5 Pattern, 8 Tour, 5 Auto Scan
Network	
Network	10BASE-T/ 100BASE-TX, RJ45 connector
Resolution	1920x1080 / 1280x960 / 1280x720 / 640x480 / 640x360 / 320x240
Image compression method	H.265/ H.264/ MJPEG
Frame rate	1080P (1-50/60 fps)/ 1.3M (1-25/30 fps) /720P(1-25/30 fps)
Protocol	IPv4/ IPv6, HTTP, HTTPS, SSL, TCP/ IP, UDP, UPnP, ICMP, IGMP, SNMP, RTSP, RTP, SMTP, NTP, DHCP, DNS, DDNS, FTP, QoS, 802.1x, Multicast
Maximum concurrent access number	20 users (Number of sessions that can connect to cameras at the same time)
Compatible memory card:*1 *2	micro SDXC/SDHC Memory card 4 to 128 GB
Audio compression	G.711u / G.726 / AAC
I/O port	Alarm Input 2 channel / Output 1 channel
General	
Power source	24 V AC, PoE plus
Power consumption	24 V AC: 3 A (50/ 60Hz) PoE+ 54 V DC: 450 mA (Class 4 device)
Ambient operating temperature / Humidity	-30 °C to +55 °C {-22 °F to 131 °F} 10 % to 90 % (no condensation)
Water and dust resistance	Main body: IP66
Dimensions	Ø186 mm(W) x 310 mm(H) { Ø 7-5/16 (W) x 1ft 7/32 (H) inches}
Weight (approx.)	Approx. 3.9 kg {8.6 lbs}

Important

- Safety Precaution: Carefully read the operating instruction manual before using this product.
- Panasonic cannot be responsible for the performance of the network and/or other manufacturers' products used on the network.

*1 When repeatedly recording images on a micro SD memory card using the auto overwrite function, make sure to use a micro SD memory card with high reliability and durability.
*2 Use the micro SD memory card that complies with UHS-1 (Ultra High Speed-1) in the case of SD Speed Class 10.

- All pictures are simulated.
- Weights and dimensions are approximate.
- Specifications are subject to change without notice.

DISTRIBUTED BY: